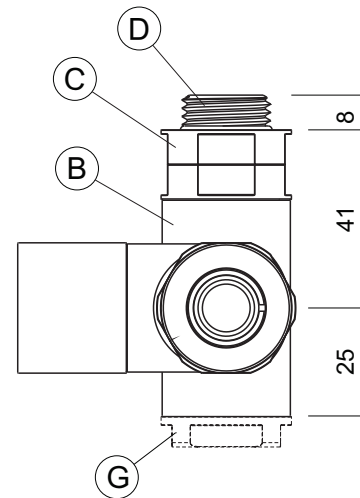
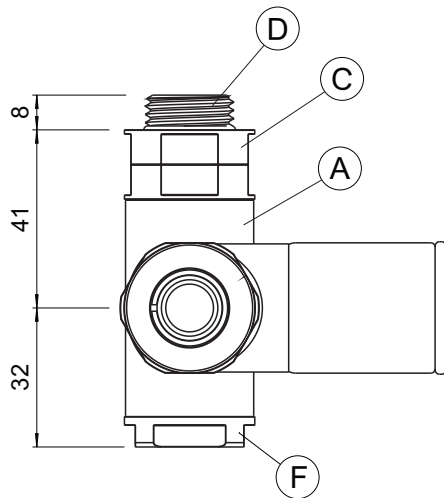
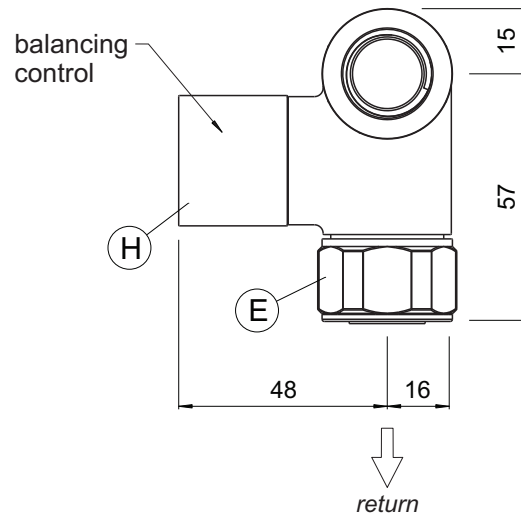
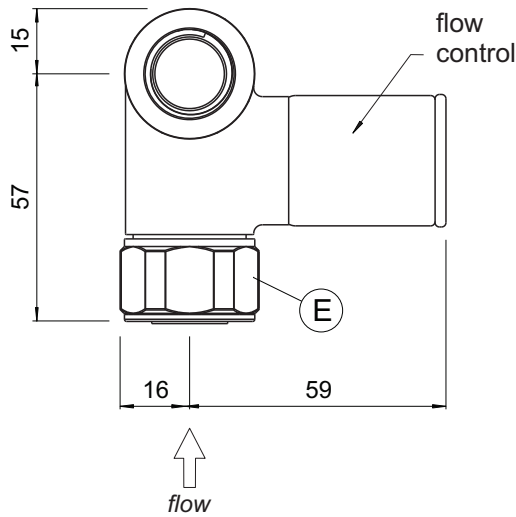


Tools & Material Required

Spanner - 29mm
Adjustable Spanner

Key	Component	Qty
A	Manual Body (flow)	1
B	Manual Body (return)	1
C	Nut	2
D	Valve Tail (1/2" BSP)	2
E	Compression Fitting (15mm)	2
F	Blanking Cap - Fixed	1
G	Blanking Cap - Removable	1
H	Balancing Cap	1



Assembly Instructions

Fit valve tails (D) to radiator, ensuring nut (C) is in place.

Note: over-tightening of valve tails may cause damage to surface finish of radiator connections. Do not use grips.

Loosen compression fittings (E) and apply valve bodies (A) & (B) to 15mm pipe tails.

Install radiator onto bracket mountings and tighten valve tails (D) onto valve bodies (A) & (B).

Tighten compression fittings (E).

If fitting supplementary heater (available separately), remove blanking cap (G) on return side.

After filling and venting radiator, remove balancing cap (H) and adjust balancing control to balance radiator.

Further technical information regarding valves (sheet TDS3.1) can be found on our website at www.bisque.co.uk or by calling and requesting a faxed or posted copy on **01276 605888**.