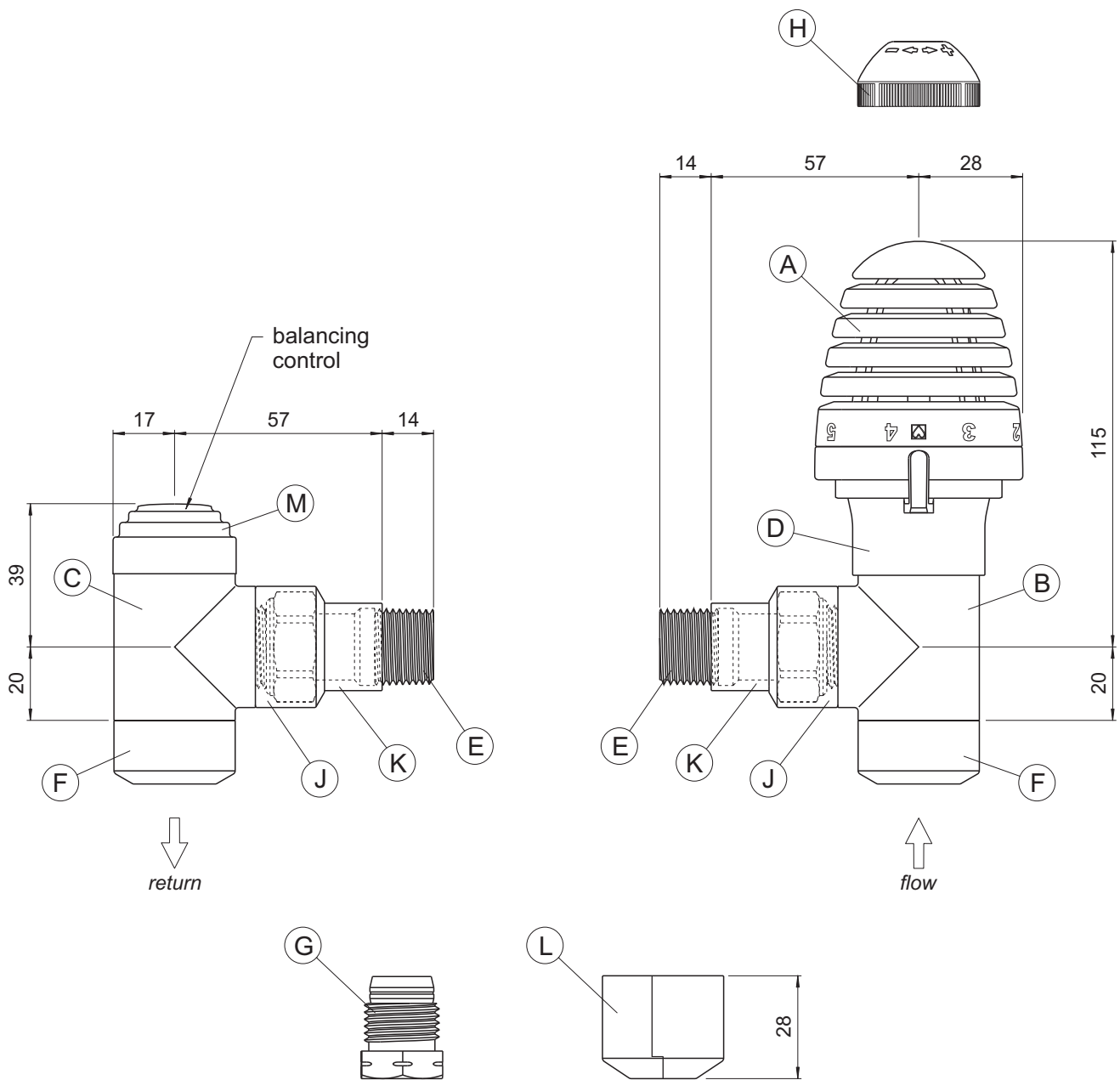


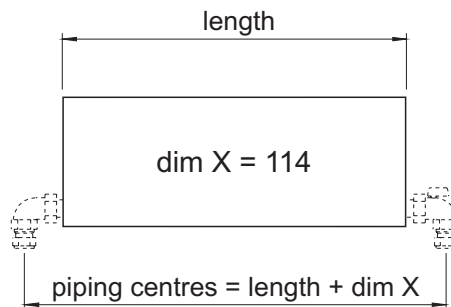
Tools & Material Required

- PTFE tape
- Allen key - 10mm
- Spanner - 22mm & 26mm
- Adjustable Spanner

Key	Component	Qty
A	Thermostatic Cap	1
B	Thermostatic Body	1
C	Manual Body	1
D	Cover Sleeve	1
E	Valve Tail (1/2" BSP)	2
F	Cover Sleeve	2 (not required)
G	Compression Fitting (15mm)	2
H	Screw Cap	1
J	Cover Sleeve	2
K	Cover Sleeve (small)	2
L	Cover (compression fitting)	2
M	Balancing Cap	1

Temperature Settings	
0	Off
*	Anti-Frost Setting
1 to 6	Approx. Range 12°C to 30°C





Assembly Instructions

Leave screw cap (H) tightened to thermostatic body (B).

Remove small cover sleeve (K) and apply sufficient PTFE tape to valve tail threads (E), ensuring that tape is wound in clockwise direction. Replace cover (K).

With cover sleeves (K) and (J) in place, fit valve tail (E) to radiator using 10mm Allen key, ensuring nut is in place.

Note: Over-tightening of valve tails may cause damage to surface finish of radiator connections. Do not use grips.

Apply compression union fittings (G) to 15mm pipe tails. Remove cover (F) and attach valve bodies (B) & (C) to compression fittings (G).

Install radiator onto bracket mountings and tighten valve tails (E) onto valve bodies (B) & (C).

Tighten compression fittings (G).

Remove screw cap (H).

Set reading on thermostatic cap (A) to '6'. Slide down cover sleeve (D), and tighten to valve body (B), maintaining cap (A) in same position. Slide cover sleeve (D) back to cap (A).

Press compression union covers (L) in place, ensuring two halves lock together.

Remove cap (M). After filling and venting radiator, set valve fully open and balance radiator.

Note: To remove radiator while the system is under pressure, set thermostatic head (A) to '0' and ensure that thermostatic body (B) is shut off. We recommend that blanking caps (not supplied) are used over open ends.

Further technical information regarding valves (sheet TDS3.1) can be found on our website at www.bisque.co.uk or by calling and requesting a faxed or posted copy on **01276 605888**.