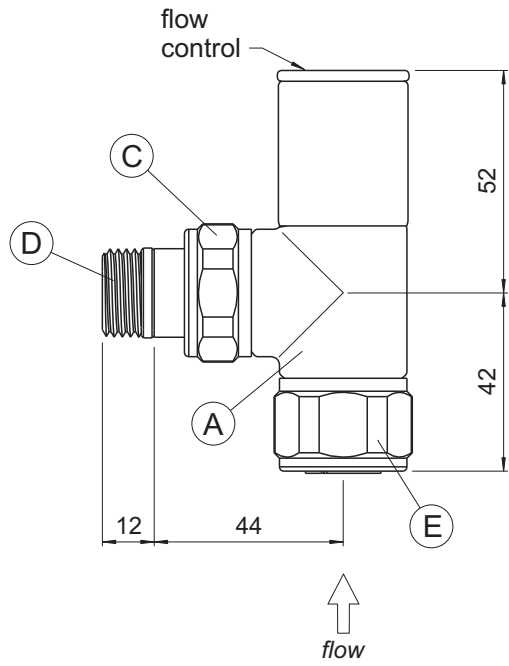
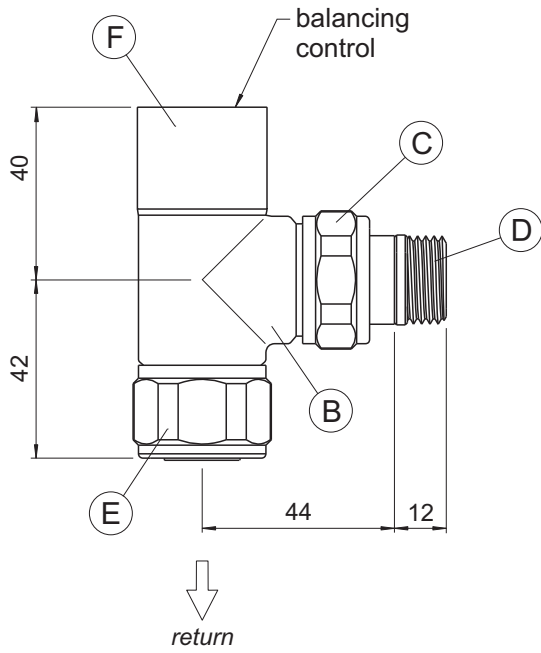


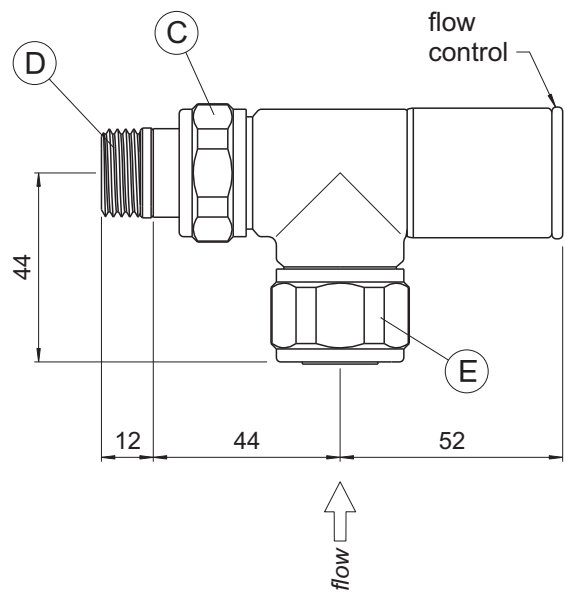
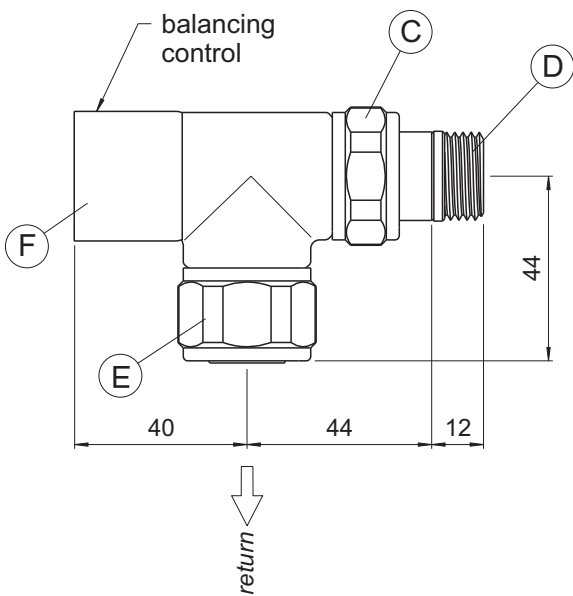
Tools & Material Required

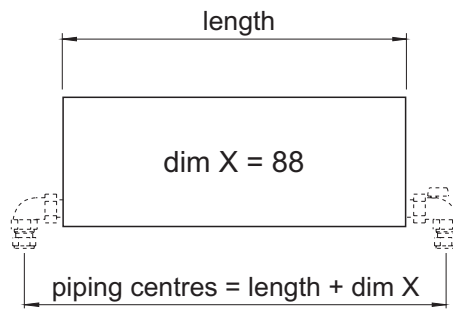
- Allen key - 12mm
- Spanner - 29mm
- Adjustable Spanner

Key	Component	Qty
A	Manual Body (flow)	1
B	Manual Body (return)	1
C	Nut	2
D	Valve Tail (1/2" BSP)	2
E	Compression Fitting (15mm)	2
F	Balancing Cap	1



Reverse Connections:





Assembly Instructions

Fit valve tails (D) to radiator using 12mm Allen key, ensuring nut (C) is in place.

Note: over-tightening of valve tails may cause damage to surface finish of radiator connections.

Do not use grips.

Loosen compression fittings (E) and apply valve bodies (A) & (B) to 15mm pipe tails.

Install radiator onto bracket mountings and tighten valve tails (D) onto valve bodies (A) & (B).

Tighten compression fittings (E).

After filling and venting radiator, remove balancing cap (F) and adjust balancing control to balance radiator.

For **reverse connections**, swap position of compression fitting (E) with nut (C) and valve tail (D).

Further technical information regarding valves (sheet TDS3.1) can be found on our website at www.bisque.co.uk or by calling and requesting a faxed or posted copy on **01276 605888**.