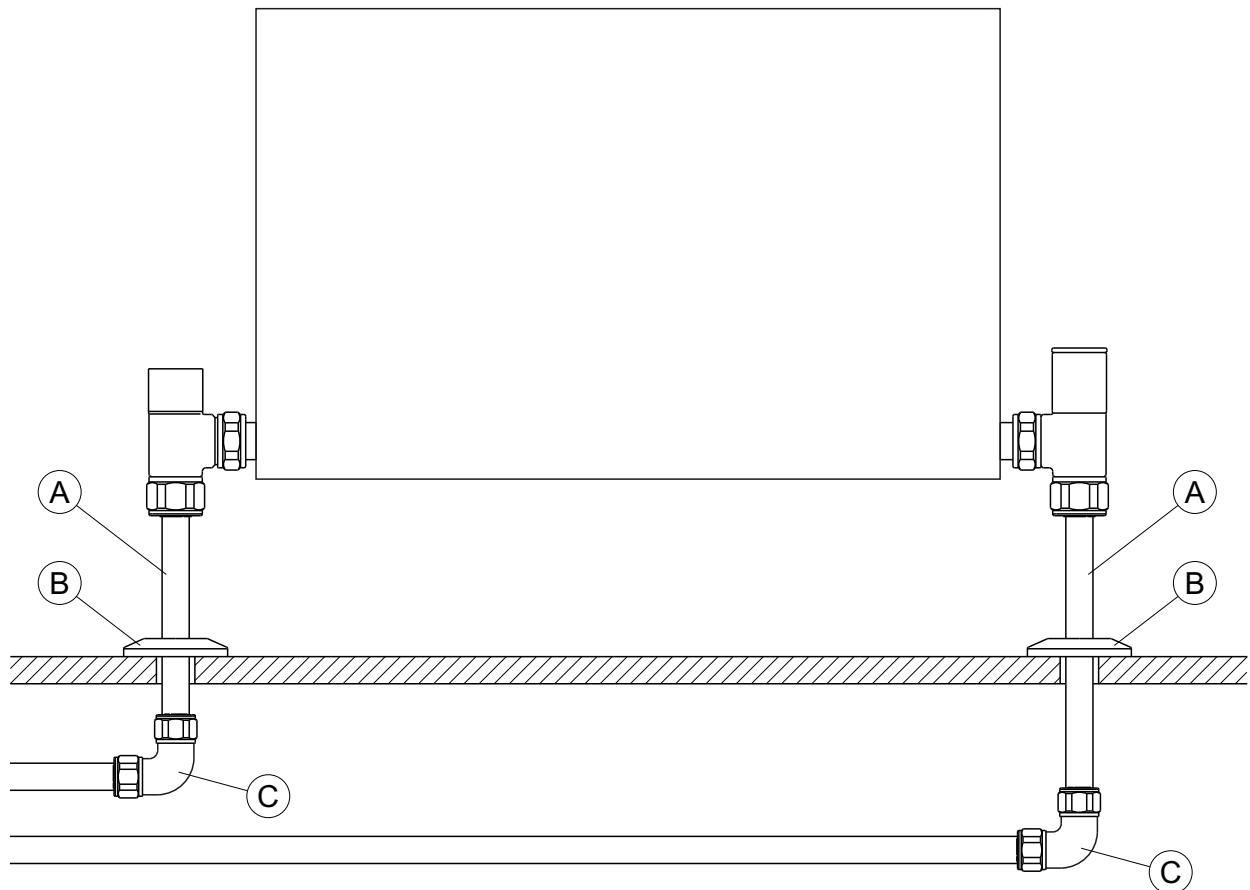


Bisque pipe kits are designed to connect from the radiator valves to the main heating circuit, either below the floor or in the wall. Each kit is supplied with two pipes (in either white, satin chrome or chrome finish) and matching cover plates.



Installation

Mark position of pipe centres.

Fix pipes (A) to main heating circuit with standard compression fittings (C - not supplied).

*note: push fit connectors and soldered joints should **not** be used.*

Slide cover plates (B) over the top of pipes (A).

Connect pipes (A) to valves (cut length of A to suit).