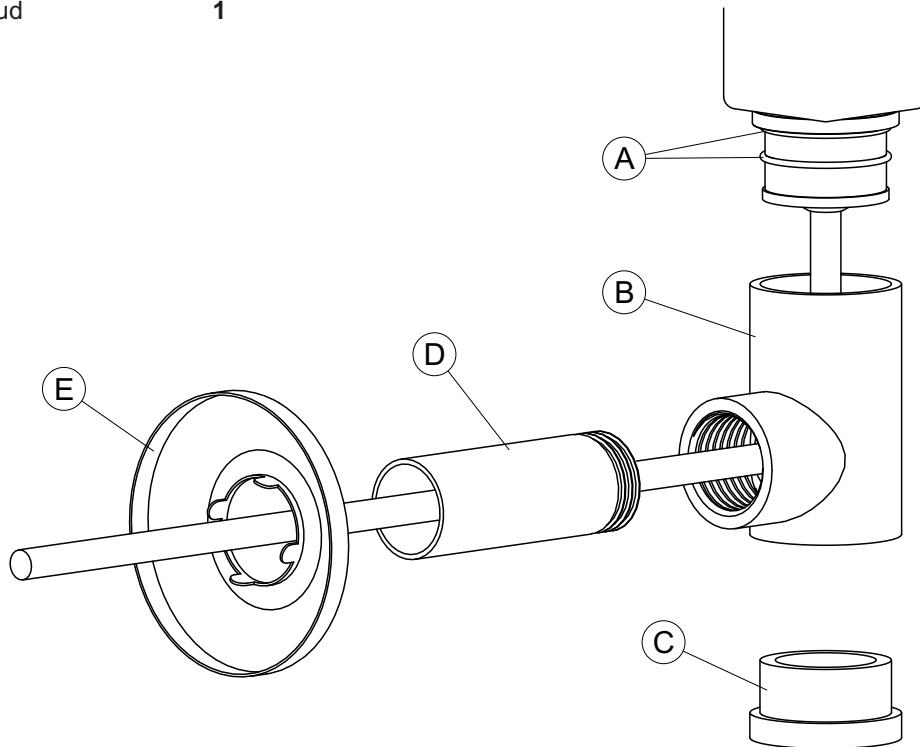


Key	Component	Qty
A	O-ring	2
B	Cover Body	1
C	Bottom Cap	1
D	Cover Tube	1
E	Tube Shroud	1



Assembly Instructions

If fitted, remove plastic cap from bottom of electric heater.

Fit the two O-rings (A) to the body of the electric heater.

Feed the cable through cover body (B) with the cable exiting through the side as shown in the illustration, not the bottom.

Push cover body (B) onto the body of the electric heater so it is held in place by the O-rings (A).

Press bottom cap (C) into bottom of cover body (B).

Dependent on fitment, cover tube (D) may need to be cut to length using a hacksaw or pipe cutter.

Feed the cable through cover tube (D) and then screw into cover body (B).

Gently bend the tabs on tube shroud (E) so that when fitted onto cover tube (D) it grips the tube.

When radiator is fitted to wall, slide tube shroud (E) along cover tube (D) until it touches the wall.

Electric radiators should be fitted only by a qualified electrician and must be earthed and connected to a cable outlet in the bathroom in accordance with I.E.E. wiring regulations. The electrical connection should be made to a '5 amp fused fixed spur' located outside the bathroom.

Note: for maintenance purposes, cable outlets must remain accessible and cables must not be buried directly into walls.