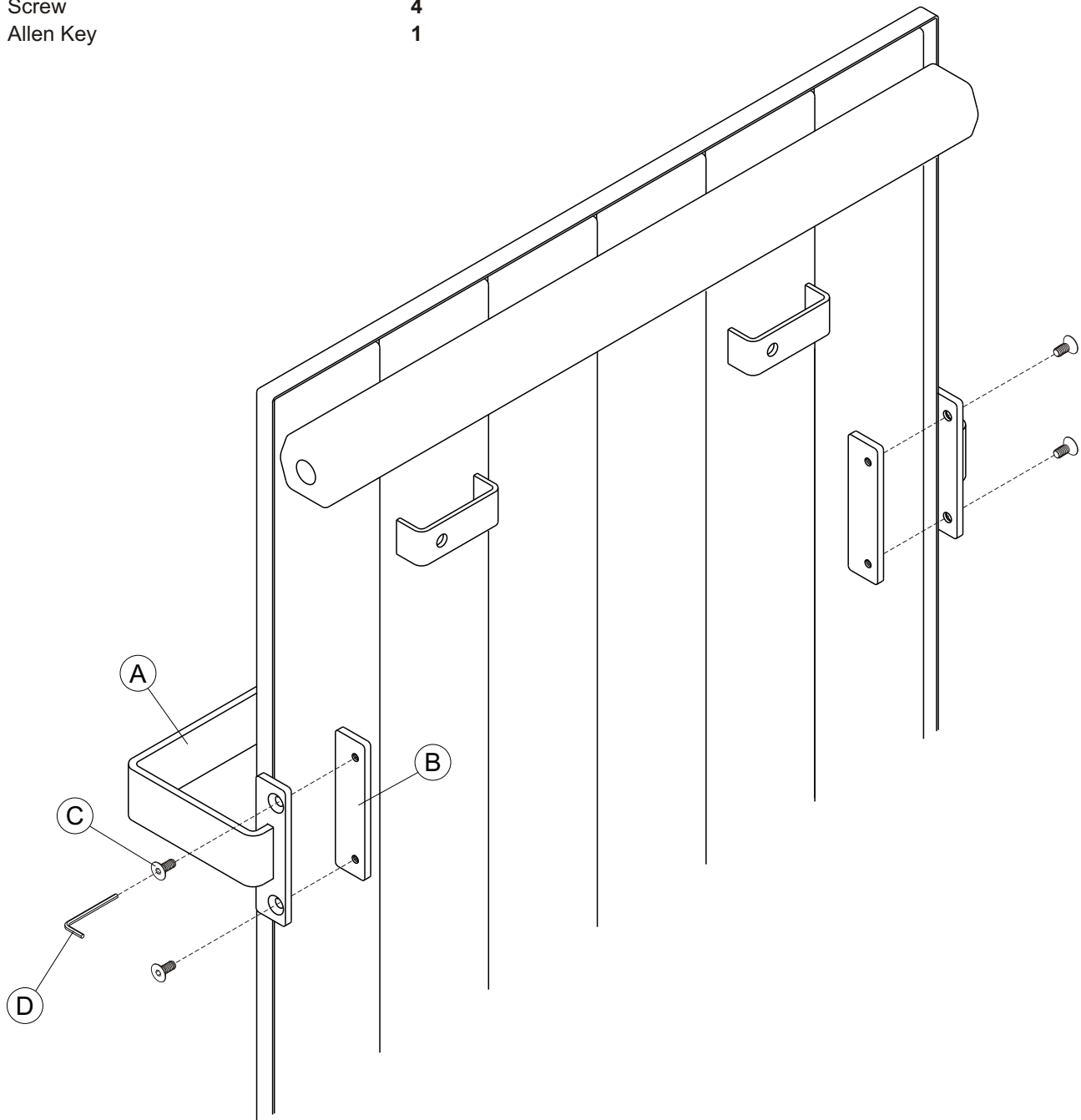


Key	Component	Qty
A	Towel Rail	1
B	Clamp Plate	2
C	Screw	4
D	Allen Key	1



### Assembly Instructions

Place towel rail (A) on radiator.

Loosely fit clamp plates (B) to towel rail (A) using screws (C) and Allen key (D) .

Position towel rail at desired height and with the rear flange of the radiator between the towel rail (A) and clamp plate (B) tighten screws (C) to secure in place.