

[†] Dimensions vary according to bracket position.
(See fitting instructions)

All dimensions shown are in millimetres

Test pressure: **6 BAR**
 Max working pressure: **4.6 BAR**
 Max working temperature: **120° C**
 All steel construction: **1.7mm header thickness**
 1.5mm panel thickness
 Connections: **½ inch BSP opposite end tapings**

Heat output determined in accordance with EN 442

Manufactured for Bisque by Zehnder of Switzerland

Model	Output ΔT=30K Watts	Output ΔT=50K Watts	n	Water Content litres	Weight kg	Height ± 2mm	Length ± 2mm	Tapping Centres ± 2mm	Fixing Centres ± 5mm
DH-50-60	278	534	1.28	1.9	15	507	600	n/a	300
DH-50-80	370	712	1.28	2.5	20	507	800	n/a	500
DH-50-100	462	889	1.28	3.1	25	507	1000	n/a	700
DH-50-120	555	1067	1.28	3.7	30	507	1200	n/a	900
DH-50-150	694	1335	1.28	4.7	37	507	1500	n/a	1200
DH-57-60	324	614	1.29	3.5	17	578	600	n/a	300
DH-57-80	411	794	1.29	2.8	22	578	800	n/a	500
DH-57-100	541	1024	1.29	3.5	28	578	1000	n/a	700
DH-57-120	617	1192	1.29	4.2	34	578	1200	n/a	900
DH-57-150	771	1490	1.29	5.3	42	578	1500	n/a	1200

Tools & Material Required

- Wall plugs - to suit screws
- Screws - Hex head, 7mm diameter x 55mm length
- Suitable valves
- PTFE tape
- Silicone thread sealant
- Tape measure
- Allen key - 13mm & 12mm (when installing Bisque valves)
- Spanner - 14mm
- Screwdriver
- Electric drill
- Masonry drill bit -to suit wall plugs
- Spirit level
- Stepladder (for taller radiators)

Key	Component	Qty
A	Air Vent - 1/4"	1
B	Wall Plug*	4
C	Bracket	4
D	Screw - Hex Head, 7mm dia x 55mm*	4

* Wall Plugs & Screws not supplied

Assembly Instructions

Sufficient PTFE tape must be applied to valve-tail threads prior to their installation.
 Silicone thread sealant should be applied to all threaded components manufactured with 'O-rings'.

Fit valve tails, using correct size Allen key.

Fit air vent (A).

Accurately mark out four bracket holes on wall using spirit level, to dimensions as shown on Technical Data Sheet.

Drill four holes & insert wall plugs (B).

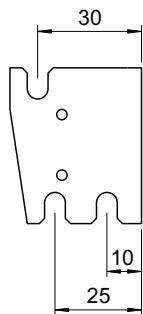
Attach brackets (C) to wall with screws (D).

*Note: brackets have three possible mounting positions (see below).
 Increasing the spacing from the wall will allow for angled valves to connect to pipes from the wall.*

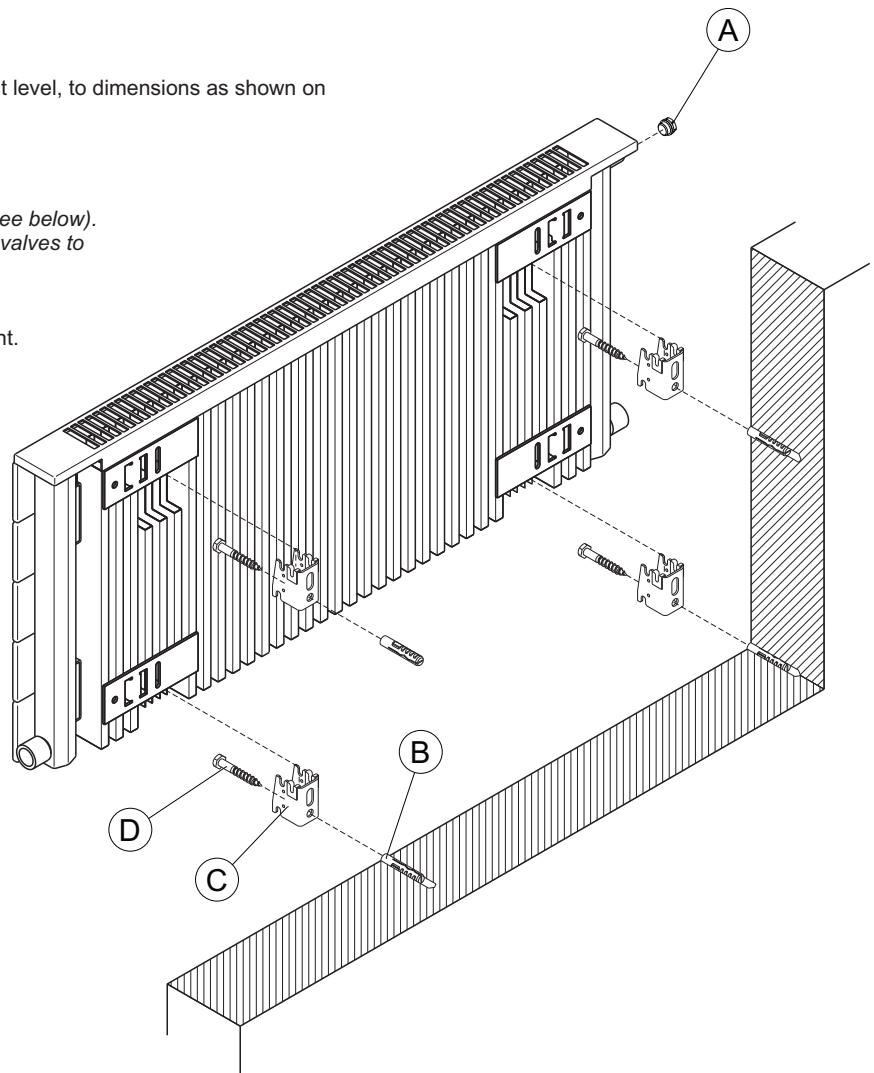
Hang radiator onto brackets (C).

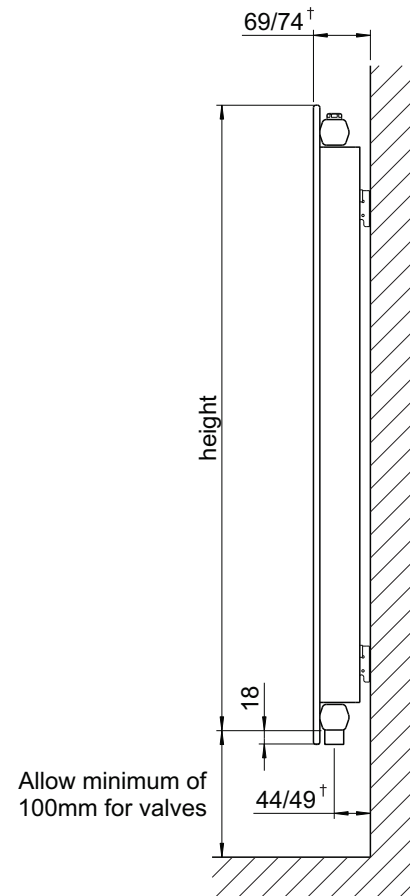
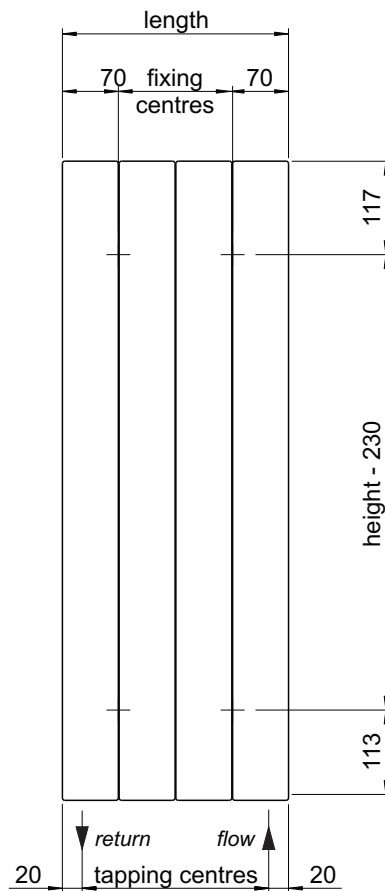
Plumb radiator to heating circuit with flow opposite air vent.

This radiator should be installed onto a central heating system that has been cleaned/flushed and contains water treatment and inhibitors in accordance with BS7593.



Bracket Detail





† Dimensions vary according to bracket position.

With smaller dimension it is not possible to have angled valves back to the wall (see fitting instructions)

All dimensions shown are in millimetres

- Test pressure: **6 BAR**
- Max working pressure: **4.6 BAR**
- Max working temperature: **120° C**
- All steel construction: **1.7mm header thickness**
1.5mm panel thickness
- Connections: **½ inch BSP underside tappings**

Heat output determined in accordance with EN 442

Manufactured for Bisque by Zehnder of Switzerland

Model	Output* ΔT=30K Watts	Output* ΔT=50K Watts	n	Water Content litres	Weight kg	Height ± 2mm	Length ± 2mm	Tapping Centres ± 2mm	Fixing Centres ± 5mm
DVL-80-28	182	352	1.29	1.5	8	800	283	243	143
DVL-80-42	273	528	1.29	2.3	12	800	425	385	285
DVL-150-35	371	725	1.31	3.1	20	1500	354	314	214
DVL-150-50	520	1015	1.31	4.3	28	1500	496	456	356
DVL-180-28	343	676	1.33	2.8	20	1800	283	243	143
DVL-180-35	428	845	1.33	3.6	25	1800	354	314	214
DVL-180-42	514	1014	1.33	4.3	30	1800	425	385	285
DVL-180-50	600	1183	1.33	5.0	35	1800	496	456	356

Tools & Material Required

- Wall plugs - to suit screws
- Screws - Hex head, 7mm diameter x 55mm length
- Suitable valves
- PTFE tape
- Silicone thread sealant
- Tape measure
- Allen key - 13mm & 12mm (when installing Bisque valves)
- Spanner - 14mm
- Screwdriver
- Electric drill
- Masonry drill bit -to suit wall plugs
- Spirit level
- Stepladder (for taller radiators)

Key	Component	Qty
A	Air Vent - 1/4"	1
B	Wall Plug*	4
C	Bracket	4
D	Screw - Hex Head, 7mm dia x 55mm*	4

* Wall Plugs & Screws not supplied

Assembly Instructions

Sufficient PTFE tape must be applied to valve-tail threads prior to their installation.

Silicone thread sealant should be applied to all threaded components manufactured with 'O-rings'.

Fit valve tails, using correct size Allen key.

Fit air vent (A).

Decide bracket orientation.

Accurately mark out four bracket holes on wall using spirit level, To dimensions as shown on Technical Data Sheet.

Drill four holes & insert wall plugs (B).

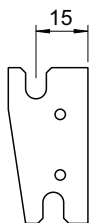
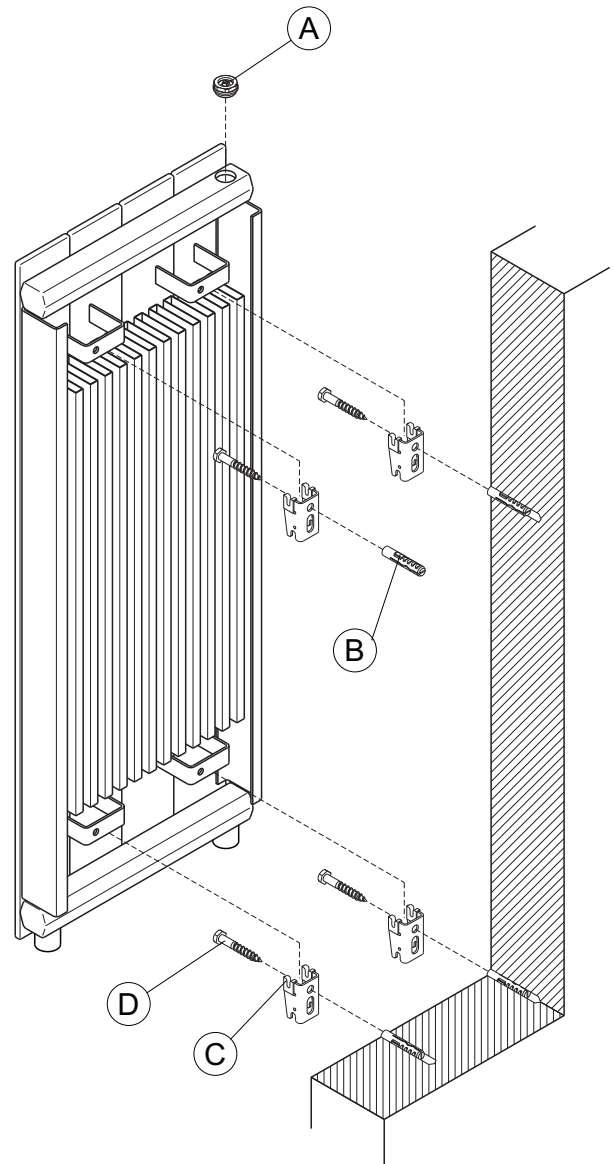
Attach brackets (C) to wall with screws (D).

Note: brackets have two possible mounting positions (see below). Increasing the spacing from the wall will allow for angled valves to connect to pipes from the wall.

Hang radiator onto brackets (C).

Plumb radiator to heating circuit with flow opposite air vent.

This radiator should be installed onto a central heating system that has been cleaned/flushed and contains water treatment and inhibitors in accordance with BS7593.



Bracket Position 1

Angled valve sets D,Z,F,K, M & Q can be used for pipe connections from wall



Bracket Position 2

Radiator will be closer to wall, but there will be insufficient space for angled valves