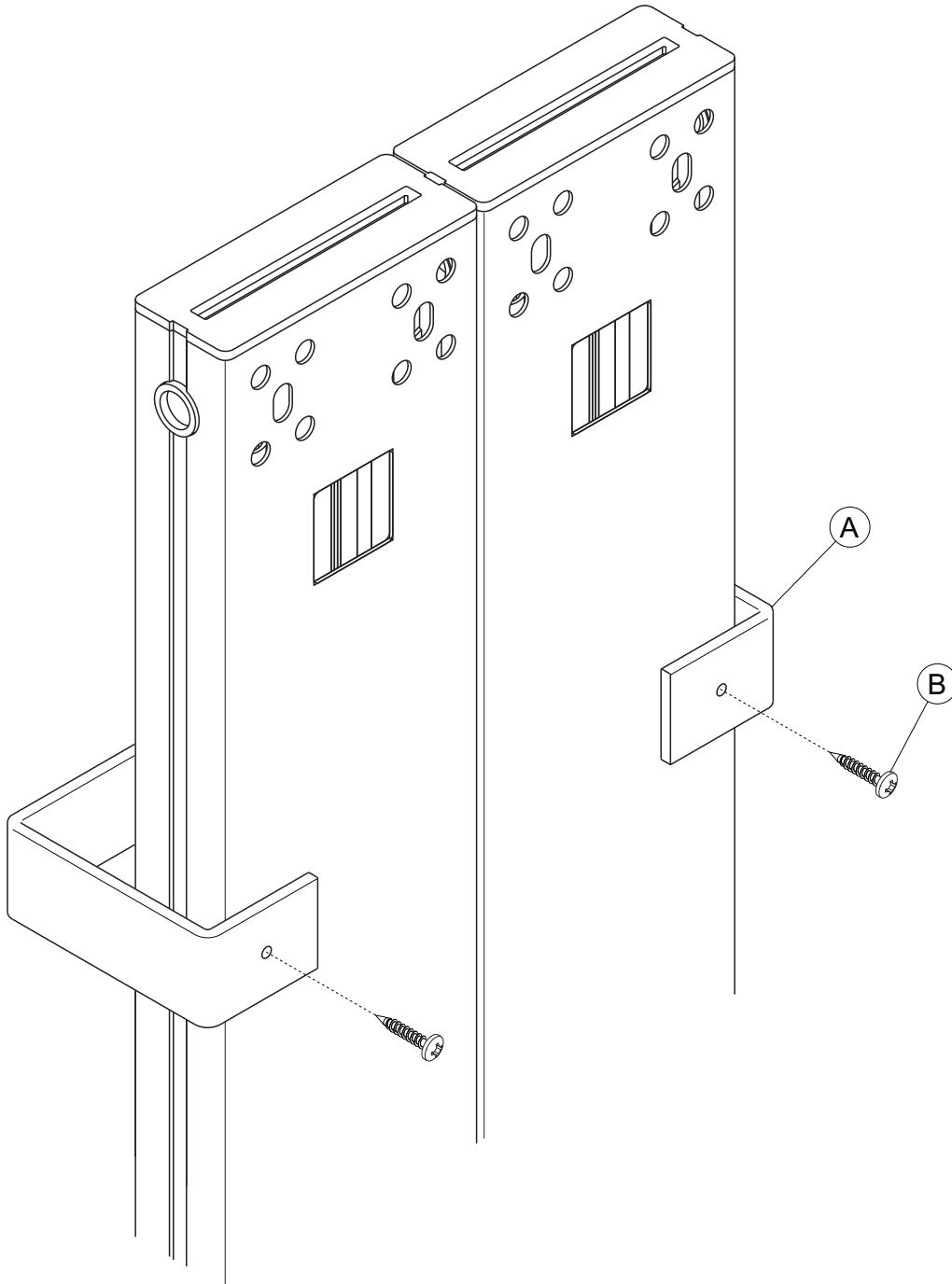


Key	Component	Qty
A	Towel Rail	1
B	Screw	2



### Assembly Instructions

The towel rail should be fitted to the radiator before it is hung on the wall.

Slide the towel rail (A) over the bottom of the radiator and fix in place with screws (B) using the mounting holes on the rear of the radiator at the desired height.