

All dimensions shown are in millimetres

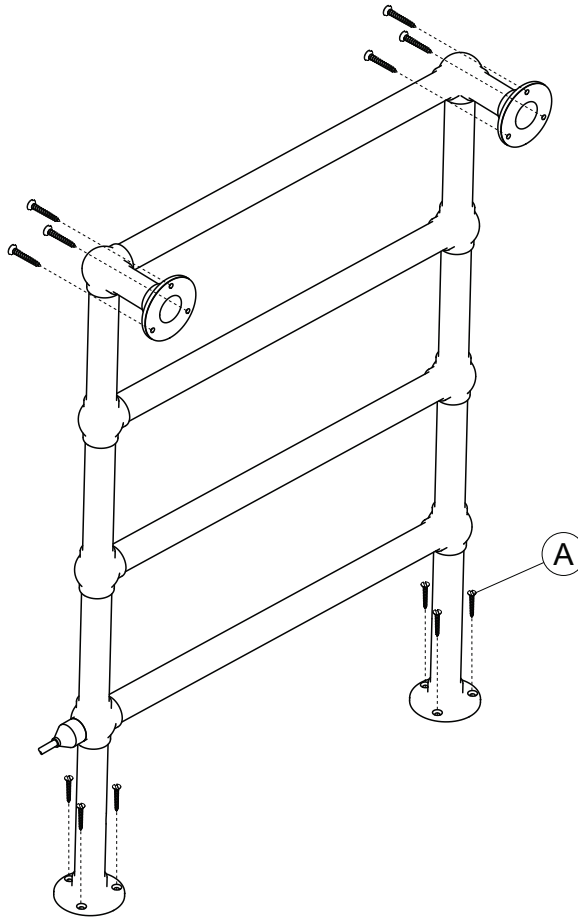
- All steel construction: **dia 31.8mm round tubes**
- Connection: **1.2m long flying lead (3 core)**
- Immersion heater rating: **IPX4 or better**

Model	Output Watts	Weight kg	Height ± 2mm	Length ± 2mm	Fixing Centres ± 5mm
OSBOE/F	150	13	850	600	n/a

Tools & Material Required

- Screwdriver - crosshead
- Electric drill
- Masonry drill bit

Key	Component	Qty
A	Screw	12



Assembly Instructions

Accurately mark out bracket holes on floor & wall.

Drill twelve fixing holes. Screws (A) are supplied but ensure that appropriate fixings are used for the type of wall the radiator is being mounted on.

Screw radiator to floor & wall.

Electric radiators should be fitted only by a qualified electrician and must be earthed and connected to a cable outlet in the bathroom in accordance with I.E.E. wiring regulations. The electrical connection should be made to a '5 amp fused fixed spur' located outside the bathroom.

Note: for maintenance purposes, cable outlets must remain accessible and cables must not be buried directly into walls.