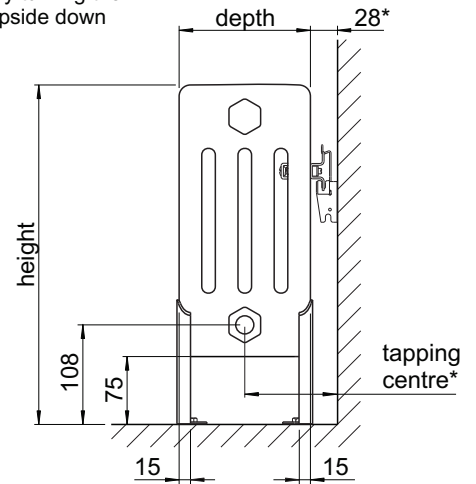


* This dim may be reduced by 5mm by turning the bracket upside down



Note:
If fitting in an alcove allow minimum of 100mm each side for valves

All dimensions shown are in millimetres

Test pressure: **15 BAR**
 Max working pressure: **110 BAR**
 Max working temperature: **10° C**
 All steel construction: **25mm dia tubes**
 Connections: **½ inch BSP bottom opposite end tappings**

Heat output determined in accordance with EN 442

Manufactured for Bisque by Zehnder of Germany

Model	Output ΔT=30K Watts	Output ΔT=50K Watts	n	Water Content litres	Weight kg	Height ± 2mm	Length ± 1.5%	Depth ± 2mm	Tapping Centre* ± 2mm
4F-30-46	221	419	1.25	7.0	10.9	375	486	136	96
4F-30-74	354	670	1.25	11.2	17.3	375	762	136	96
4F-30-92	443	838	1.25	14.0	21.5	375	946	136	96
4F-30-110	531	1006	1.25	16.8	25.9	375	1130	136	96
4F-40-69	433	824	1.26	13.5	20.4	475	716	136	96
4F-40-92	577	1098	1.26	18.0	27.1	475	946	136	96
4F-40-110	692	1318	1.26	21.6	32.6	475	1130	136	96
4F-40-138	865	1647	1.26	27.0	40.7	475	1406	136	96
4F-50-55	426	811	1.26	12.0	19.9	575	578	136	96
4F-50-64	497	946	1.26	14.0	23.3	575	670	136	96
4F-50-74	568	1082	1.26	16.0	26.5	575	762	136	96
4F-50-92	710	1352	1.26	20.0	33.1	575	946	136	96
4F-50-110	852	1622	1.26	24.0	39.8	575	1130	136	96
4F-50-129	995	1893	1.26	28.0	46.4	575	1314	136	96
4F-60-46	417	798	1.27	12.0	19.8	675	486	136	96
4F-60-64	584	1117	1.27	16.8	27.6	675	670	136	96
4F-60-83	751	1436	1.27	21.6	35.4	675	854	136	96
4F-60-101	918	1756	1.27	26.4	43.2	675	1038	136	96
4F-60-120	1085	2075	1.27	31.2	51.2	675	1222	136	96
4F-75-55	611	1169	1.27	16.8	29.3	825	578	136	96
4F-75-64	713	1364	1.27	19.6	33.9	825	670	136	96
4F-75-74	808	1558	1.27	22.4	38.4	825	762	136	96
6F-40-138	1262	2415	1.27	39.0	61.2	475	1406	210	133

Tools & Material Required

Wall plugs - 10mm
 Screws - 7mm diameter x 60mm length
 Suitable valves
 PTFE tape
 Silicone thread sealant
 Tape measure
 Allen key - 13mm & 12mm (when installing Bisque valves)
 Spanner - 13mm & 14mm
 Socketdriver - 10mm long reach
 Electric drill
 Masonry drill bit - 10mm diameter
 Spirit level

Key	Component	Qty
A	Air Vent - 1/2" (factory fitted)	1
B	Wall Plug*	2
C	Bracket	2
D	Screw - Hex Head, 7mm dia x 60mm*	6
E	Clamp Assembly	2
F	Security Clip	2

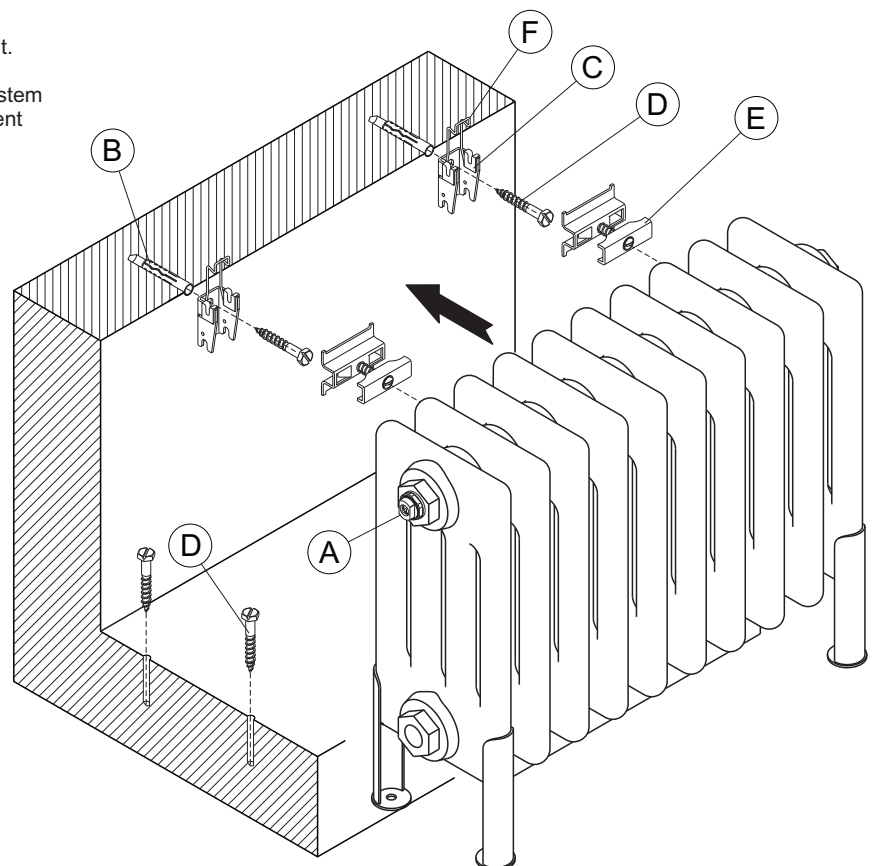
* Wall Plugs & Screws not supplied

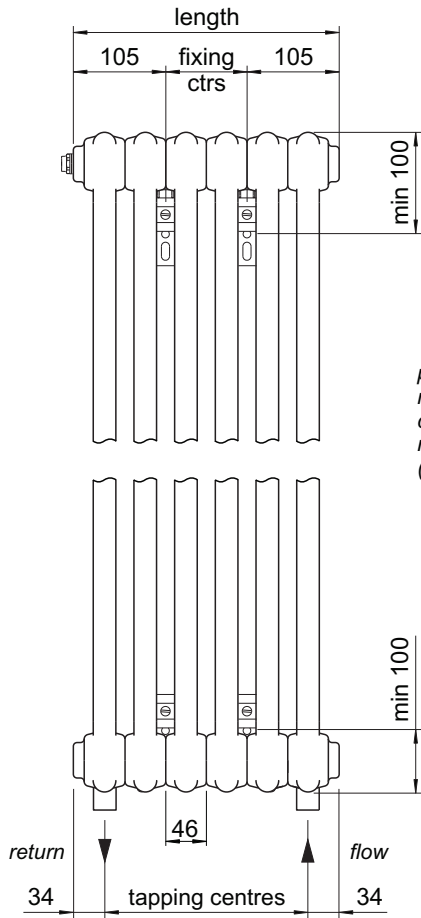
Assembly Instructions

Sufficient PTFE tape must be applied to valve-tail threads prior to their installation.
 Silicone thread sealant should be applied to all threaded components manufactured with 'O-rings'.

- Fit valve tails, using correct size Allen key.
- Drill 10mm diameter holes in wall to a minimum depth of 65mm and insert wall plugs (B).
- Screw brackets (C) into wall using screws (D).
- Loosely fit clamp assemblies (E) onto radiator tubes.
- Lift radiator until the clamp assemblies (E) locate onto the brackets (C) and lower the radiator to the floor.
- Tighten clamp assemblies (E) onto radiator tubes.
- Mark out the position of the holes through the feet onto the floor. Lift the radiator off the brackets (C) and drill holes in the floor.
- Reposition the radiator onto the brackets (C) and fix the feet to the floor with four screws (D).
- Fix security clip (F) into position over clamps (E).
- Plumb radiator to heating circuit with flow opposite air vent.

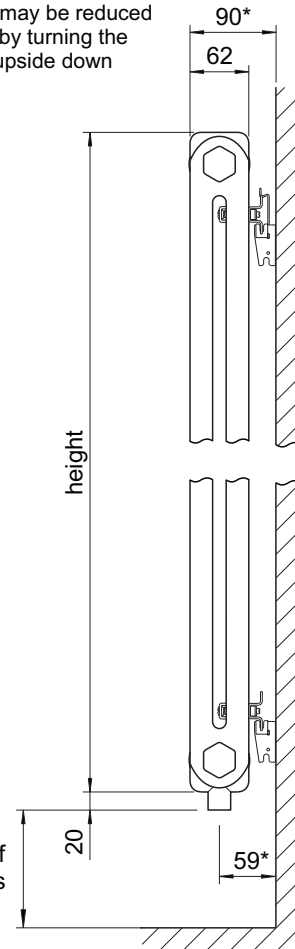
This radiator should be installed onto a central heating system that has been cleaned/flushed and contains water treatment and inhibitors in accordance with BS7593.





*please note:
made to measure versions of these radiators
come as standard with side connections and
not underside as the stock models shown here
(other options can be specified)*

* This dim may be reduced by 5mm by turning the bracket upside down



Allow minimum of 100mm for valves

Test pressure: **15 BAR**
 Max. working pressure: **10 BAR**
 Max working temperature: **120° C**
 All steel construction: **25mm dia tubes**
 Connections: **½ inch BSP underside tappings**

All dimensions shown are in millimetres

Heat output determined in accordance with EN 442

Manufactured for Bisque by Zehnder of Germany

Model	Output ΔT=30K Watts	Output ΔT=50K Watts	n	Water Content litres	Weight kg	Height ± 2mm	Length ± 1.5%	Tapping Centres ± 2mm	Fixing Centres ± 2mm
2W-75-37	232	440	1.25	5.6	9.3	742	394	326	184
2W-75-46	290	550	1.25	7.0	11.6	742	486	418	276
2W-75-55	349	660	1.25	8.4	13.9	742	578	510	368
2W-75-64	407	770	1.25	9.8	16.2	742	670	602	460
2W-120-37	350	662	1.25	8.8	14.4	1192	394	326	184
2W-120-46	437	827	1.25	11.0	18.0	1192	486	418	276
2W-120-55	524	992	1.25	13.2	21.6	1192	578	510	368
2W-150-28	324	624	1.28	7.8	13.8	1492	302	234	92
2W-150-37	433	832	1.28	10.4	18.4	1492	394	326	184
2W-150-46	541	1040	1.28	13.0	23.0	1492	486	418	276
2W-150-55	649	1248	1.28	15.6	27.6	1492	578	510	368
2W-180-28	381	744	1.31	9.0	16.2	1792	302	234	92
2W-180-37	508	992	1.31	12.0	21.6	1792	394	326	184
2W-180-46	635	1240	1.31	15.0	27.0	1792	486	418	276
2W-180-55	762	1488	1.31	18.0	32.4	1792	578	510	368

Tools & Material Required

Wall plugs - 10mm
 Screws - 7mm diameter x 60mm length
 Suitable valves
 PTFE tape
 Silicone thread sealant
 Tape measure
 Allen key - 13mm & 12mm (when installing Bisque valves)
 Spanner - 13mm & 14mm
 Socketdriver - 10mm long reach
 Electric drill
 Masonry drill bit - 10mm diameter
 Spirit level
 Stepladder

Key	Component	Qty
A	Air Vent - 1/2" (factory fitted)	1
B	Wall Plug*	4
C	Bracket	4
D	Screw - Hex Head, 7mm dia x 60mm*	4
E	Clamp Assembly	4
F	Security Clip	2

* Wall Plugs & Screws not supplied

Assembly Instructions

Sufficient PTFE tape must be applied to valve-tail threads prior to their installation.

Silicone thread sealant should be applied to all threaded components manufactured with 'O-rings'.

Fit valve tails, using correct size Allen key.

Accurately mark out bracket holes on wall to dimensions as shown on Technical Data Sheet.

Drill 10mm diameter holes in wall to a minimum depth of 65mm and insert wall plugs (B).

Attach brackets (C) to wall with screws (D) as shown and level.

Tightly fix the radiator tubes into the upper clamp assemblies (E).

Loosely fit the lower clamp assemblies (E) to the radiator.

Lift the radiator on to the wall and locate the upper clamp assemblies (E) into the slots in the upper brackets (B).

Slide the lower clamp assemblies (E) until they locate in the slots in the lower brackets (B) and tighten clamps.

Fix security clip (F) into position over upper clamps (E).

Plumb radiator to heating circuit with flow opposite air vent.

This radiator should be installed onto a central heating system that has been cleaned/flushed and contains water treatment and inhibitors in accordance with BS7593.

