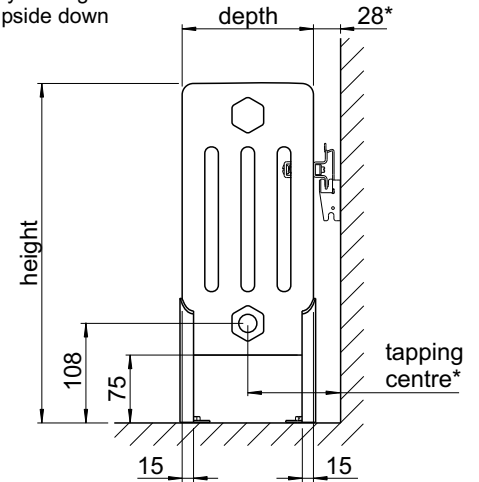


\* This dim may be reduced by 5mm by turning the bracket upside down



Note:  
If fitting in an alcove allow minimum of 100mm each side for valves

Test pressure: **15 BAR**  
 Max working pressure: **10 BAR**  
 Max working temperature: **120° C**  
 All steel construction: **1.5mm header thickness**  
**dia 25mm x 1.25mm tubes**  
 Connections: **½ inch BSP bottom opposite end tappings**

All dimensions shown are in millimetres

Heat output determined in accordance with EN 442

Manufactured for Bisque by Zehnder of Germany

Model	Output ΔT=50K Watts	Output ΔT=60K Watts	n	Water Content litres	Weight kg	Height ± 2mm	Length ± 2%	Depth ± 2mm	Tapping Centre* ± 2mm
4F-30-46	419	526	1.25	7.0	10	375	490	136	96
4F-30-74	670	842	1.25	11.2	16	375	766	136	96
4F-30-92	838	1052	1.25	14.0	20	375	950	136	96
4F-30-110	1006	1263	1.25	16.8	24	375	1134	136	96
4F-40-69	824	1036	1.26	13.5	21	475	720	136	96
4F-40-92	1098	1382	1.26	18.0	28	475	950	136	96
4F-40-110	1318	1658	1.26	21.6	34	475	1134	136	96
4F-40-138	1647	2072	1.26	27.0	42	475	1410	136	96
4F-50-55	811	1021	1.26	12.0	20	575	582	136	96
4F-50-64	946	1191	1.26	14.0	24	575	674	136	96
4F-50-74	1082	1361	1.26	16.0	27	575	766	136	96
4F-50-92	1352	1701	1.26	20.0	34	575	950	136	96
4F-50-110	1622	2041	1.26	24.0	41	575	1134	136	96
4F-50-129	1893	2382	1.26	28.0	48	575	1318	136	96
4F-60-46	798	1006	1.27	12.0	20	675	490	136	96
4F-60-64	1117	1408	1.27	16.8	28	675	674	136	96
4F-60-83	1436	1811	1.27	21.6	36	675	858	136	96
4F-60-101	1756	2213	1.27	26.4	44	675	1042	136	96
4F-60-120	2075	2615	1.27	31.2	52	675	1226	136	96
4F-75-28	584	737	1.27	8.4	15	825	306	136	96
4F-75-37	779	982	1.27	11.2	20	825	398	136	96
4F-75-55	1169	1473	1.27	16.8	30	825	582	136	96
4F-75-64	1364	1719	1.27	19.6	35	825	674	136	96
6F-30-110	1471	1851	1.26	26.4	38	375	1134	210	133
6F-40-110	1932	2435	1.27	31.2	48	475	1134	210	133
6F-40-138	2415	3044	1.27	39.0	60	475	1410	210	133